



145 - 7391 Vantage Way, Delta, BC Canada
 PH: 604-940-8741 TF: 877-940-8741
 www.critical-environment.com



Depth: 4.3" (109.2 mm)

SCC WITH INTERNAL ELECTROCHEMICAL CO SENSOR AND INTERNAL ELECTROCHEMICAL NITROGEN DIOXIDE SENSOR, INSTALLED 4' TO 6' FROM THE FLOOR (BREATHING ZONE)

NOTE 1: TWO INTERNAL SPDT DRY CONTACT RELAYS ARE RATED 5-AMPS @240 VAC EACH

RELAYS OPERATE IN FAIL SAFE CONFIGURATION

NOTE 2: DO NOT RUN LINE VOLTAGE AND LOW VOLTAGE WIRES IN THE SAME CONDUIT

WIRING TERMINAL CONNECTIONS



GND—ground for external device
 SNS—current loop input
 TMP—temperature measurement input
 V+—supply voltage for external device
 24V—for low voltage supply input
 24V—for low voltage supply input

NO—Relay 1 normally open contact
 COM—Relay 1 common contact
 NC—Relay 1 normally closed
 NO—Relay 2 normally open contact
 COM—Relay 2 common contact
 NC—Relay 2 normally closed

Line Voltage Wiring Terminal

120 VAC Line Voltage in

TRANSFORMER

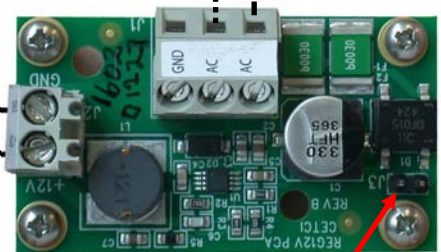
24 VAC out

Low Alarm

High Alarm

COMMON RELAY 1 AND RELAY 2 CONFIGURATION

- Relay 1 wiring for low alarm triggering of RSH-24
- Relay 2 wiring for high alarm triggering of RSH-24



MAKE SURE J3 IS SHORTED (jumper is installed)

SCC INSTALLATION WITH 24 VAC WIRING CONNECTIONS DRAWING TO RSH-24 REMOTE HORN & STROBE COMBO USING RELAY1 AND RELAY2

Critical Environment Technologies Canada Inc.

Name: SCC Self Contained Controller with internal CO sensor and internal NO2 Sensor connected to RSH-24

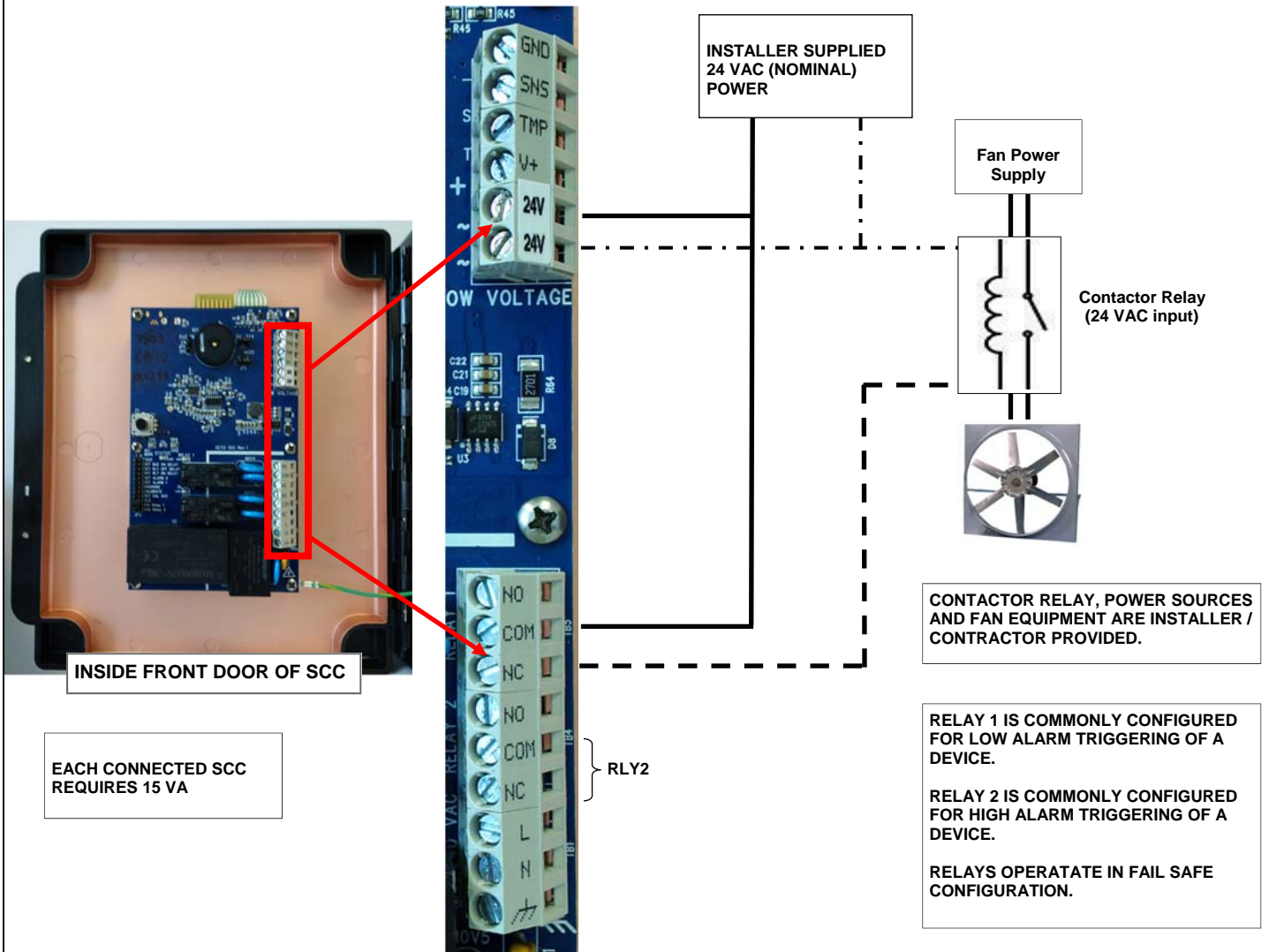
Model: SCC-E-TCO-NO2B

Date: October 24, 2016

REV B

Critical Environment Technologies Canada Inc.

www.critical-environment.com 604-940-8741 / 877-940-8741 (toll free)



CONTACTOR RELAY, POWER SOURCES AND FAN EQUIPMENT ARE INSTALLER / CONTRACTOR PROVIDED.

RELAY 1 IS COMMONLY CONFIGURED FOR LOW ALARM TRIGGERING OF A DEVICE.

RELAY 2 IS COMMONLY CONFIGURED FOR HIGH ALARM TRIGGERING OF A DEVICE.

RELAYS OPERATE IN FAIL SAFE CONFIGURATION.

RLY2:

WIRING RELAY 2 FOR TRIGGERING RSH-24 (SEE SCC INSTALLATION AND WIRING CONNECTIONS DRAWING WITH RELAY CONTROL TO RSH-24)

SCC 24 VAC POWERED - WIRING CONNECTIONS DRAWING TO CONTACTOR RELAY (WITH RSH-24 WIRING TO RELAY1 OPTION)

Critical Environment Technologies Canada Inc.

Name: SCC Self Contained Controller with internal CO sensor and internal NO2 Sensor connected to Contactor Relay

Model: SCC-E-TCO-NO2B

Date: October 24, 2016

REV B