

MODBUS CONTROLLER  
(INSTALLER SUPPLIED)

A  
B  
24V  
GND

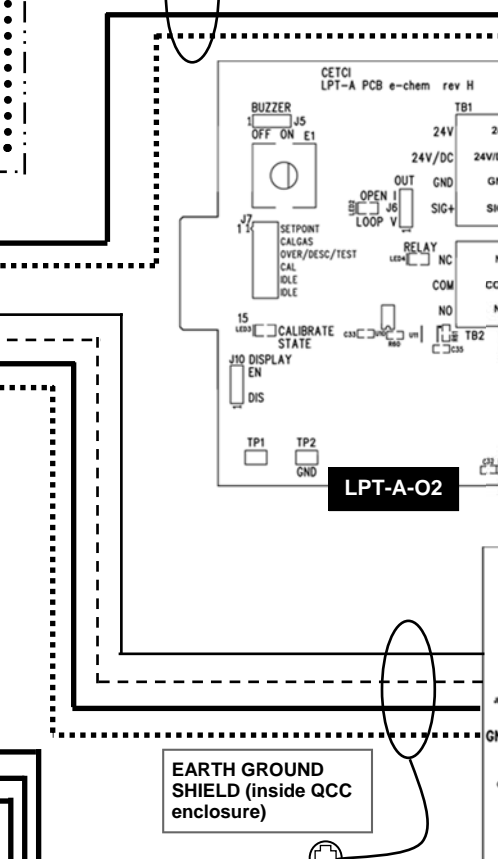
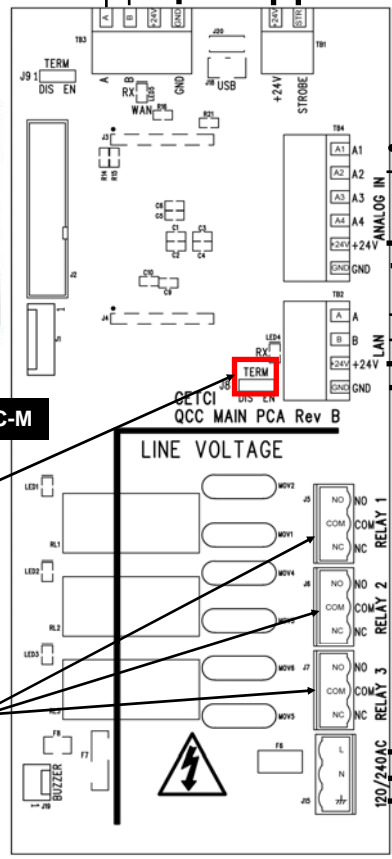


**QCC-M**

TERMINATION JUMPER IN EN POSITION IF FIRST DEVICE IN NETWORK CHAIN

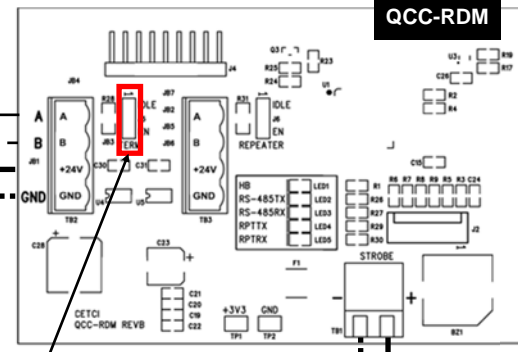
THREE RELAY CONTROL WIRING TERMINALS. CONNECT TO COM & NC. DO NOT USE SOLID CORE WIRE. RELAYS OPERATE IN "FAIL SAFE" CONFIGURATON.

CRITICAL ENVIRONMENT TECHNOLOGIES  
CANADA INC.  
www.critical-environment.com  
QCC-M TO LPT-A-O2 WITH QCC-RDM AND RSH-24VDC  
WIRING CONNECTION DRAWING  
REV-A August 18, 2016



**LPT-A-O2**

**LPT-A-O2**



**QCC-RDM**



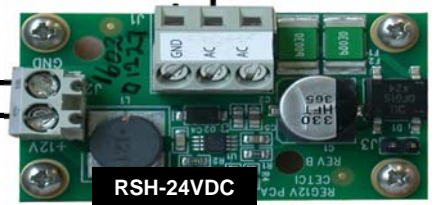
HOMERUN OR DAISY CHAIN POWER AND GND RUNNING TO ADDITIONAL LPT-A TRANSMITTERS. NOTE THAT ONE SIGNAL WIRE MUST BE PULLED FOR EACH LPT-A (UP TO FOUR) TRANSMITTERS ADDED.

EARTH GROUND SHIELD NOT CONNECTED ON LAST DEVICE

INSTALLER SUPPLIED LINE VOLTAGE (90-240 VAC, 50-60 HZ)

L  
N  
GND

TERMINATION JUMPER IN EN POSITION IF LAST DEVICE IN NETWORK CHAIN



**RSH-24VDC**



**RSH-24VDC**