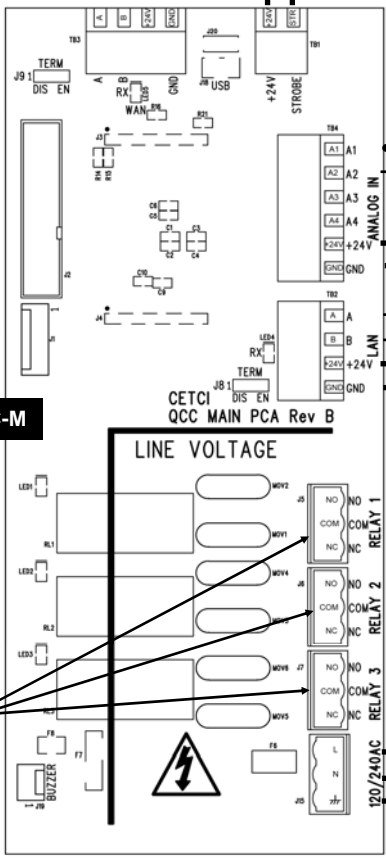


CRITICAL ENVIRONMENT TECHNOLOGIES CANADA INC.
www.critical-environment.com
QCC-M TO LPT-A-O2 WITH QCC-RDM AND RSH-24VDC WIRING CONNECTION DRAWING
 REV-A August 18, 2016



QCC-M



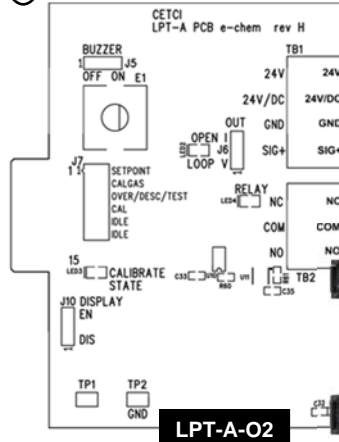
THREE RELAY CONTROL WIRING TERMINALS. CONNECT TO COM & NC. **DO NOT USE SOLID CORE WIRE.**

RELAYS OPERATE IN "FAIL SAFE" CONFIGURATON.

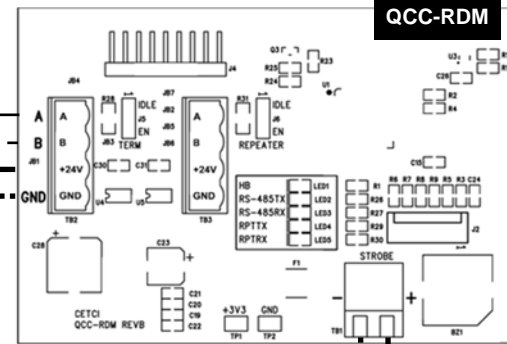
EARTH GROUND SHIELD (inside QCC enclosure)

INSTALLER SUPPLIED LINE VOLTAGE (90-240 VAC, 50-60 HZ)

GND



LPT-A-O2



EARTH GROUND SHIELD NOT CONNECTED ON LAST DEVICE



RSH-24VDC



HOMERUN OR DAISY CHAIN POWER AND GND RUNNING TO ADDITIONAL LPT-A TRANSMITTERS. NOTE THAT ONE SIGNAL WIRE MUST BE PULLED FOR EACH LPT-A (UP TO FOUR) TRANSMITTERS ADDED.