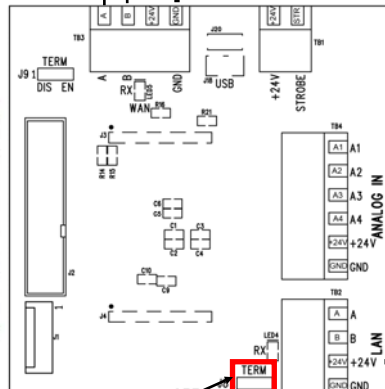


BACNET CONTROLLER
(INSTALLER SUPPLIED)

A
B
24V
GND



QCC-B

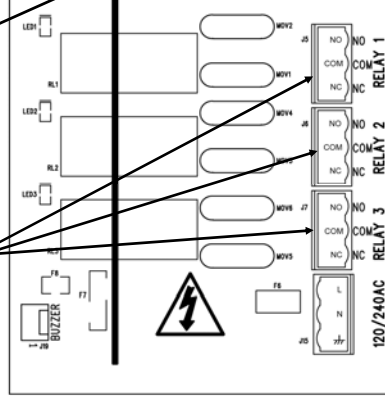
QCC MAIN PCA Rev B

TERMINATION
JUMPER IN EN
POSITION IN
FIRST
DEVICE IN
NETWORK CHAIN

THREE RELAY
CONTROL WIRING
TERMINALS.
CONNECT TO COM
& NC. DO NOT USE
SOLID CORE WIRE.

RELAYS OPERATE
IN "FAIL SAFE"
CONFIGURATON.

LINE VOLTAGE



EARTH
GROUND
SHIELD NOT
CONNECTED
(if last device)

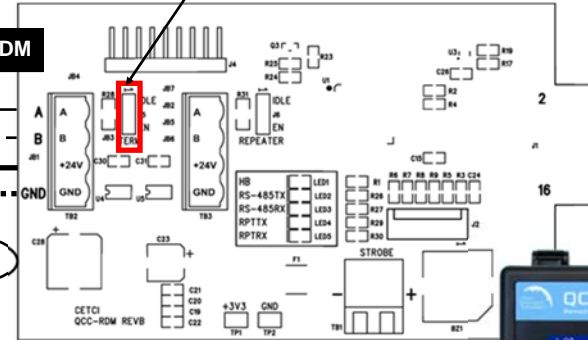
EARTH GROUND
SHIELD (inside QCC
enclosure)

INSTALLER SUPPLIED
LINE VOLTAGE
(90-240 VAC, 50-60 HZ)

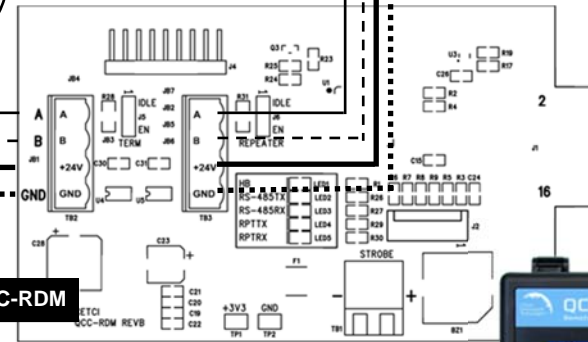
N
L
GND

TERMINATION JUMPER IN EN POSITION
IF LAST DEVICE IN NETWORK CHAIN

QCC-RDM



QCC-RDM



CRITICAL ENVIRONMENT TECHNOLOGIES CANADA INC.
www.critical-environment.com

QCC-B TO TWO QCC-RDM WIRING CONNECTION DRAWING
REV-A August 18, 2016