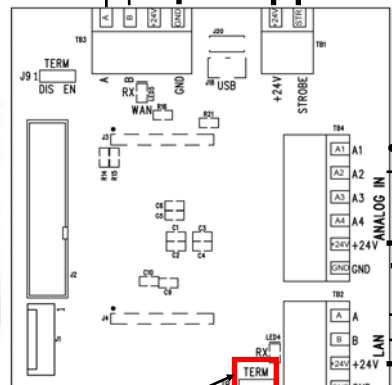


**BACNET CONTROLLER
(INSTALLER SUPPLIED)**

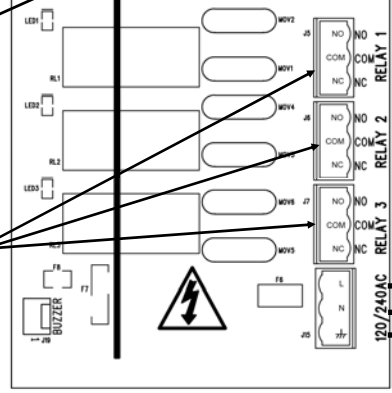
A
B
24V
GND



QCC-B



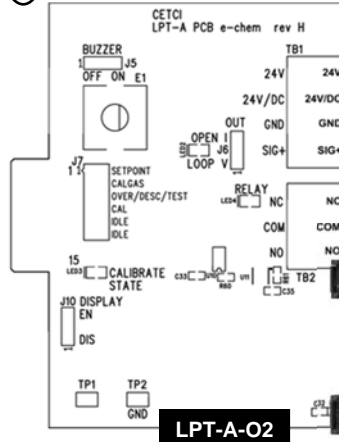
LINE VOLTAGE



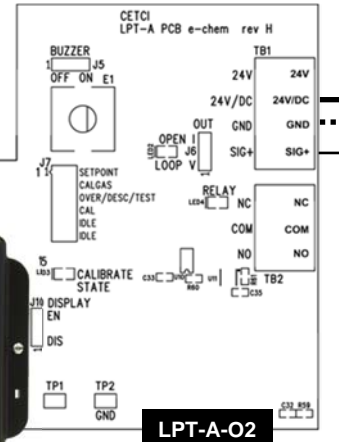
TERMINATION JUMPER IN EN POSITION IF FIRST DEVICE IN NETWORK CHAIN

THREE RELAY CONTROL WIRING TERMINALS. CONNECT TO COM & NC. DO NOT USE SOLID CORE WIRE. RELAYS OPERATE IN "FAIL SAFE" CONFIGURATON.

CRITICAL ENVIRONMENT TECHNOLOGIES CANADA INC.
www.critical-environment.com
QCC-B TO LPT-A-O2 WITH QCC-RDM AND RSH-24VDC WIRING CONNECTION DRAWING
 REV-A August 18, 2016



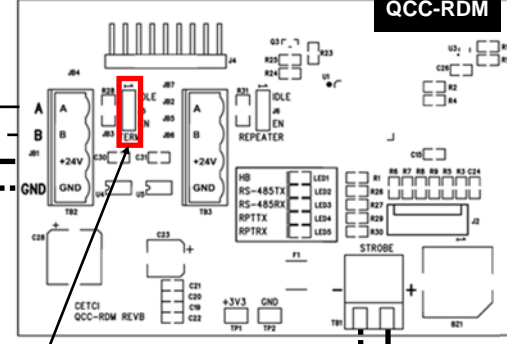
LPT-A-O2



LPT-A-O2

HOMERUN OR DAISY CHAIN POWER AND GND RUNNING TO ADDITIONAL LPT-A TRANSMITTERS. NOTE THAT ONE SIGNAL WIRE MUST BE PULLED FOR EACH LPT-A (UP TO FOUR) TRANSMITTERS ADDED.

EARTH GROUND SHIELD NOT CONNECTED ON LAST DEVICE



QCC-RDM



INSTALLER SUPPLIED LINE VOLTAGE (90-240 VAC, 50-60 HZ)

L
N
GND

EARTH GROUND SHIELD (inside QCC enclosure)

TERMINATION JUMPER IN EN POSITION IF LAST DEVICE IN NETWORK CHAIN



RSH-24VDC