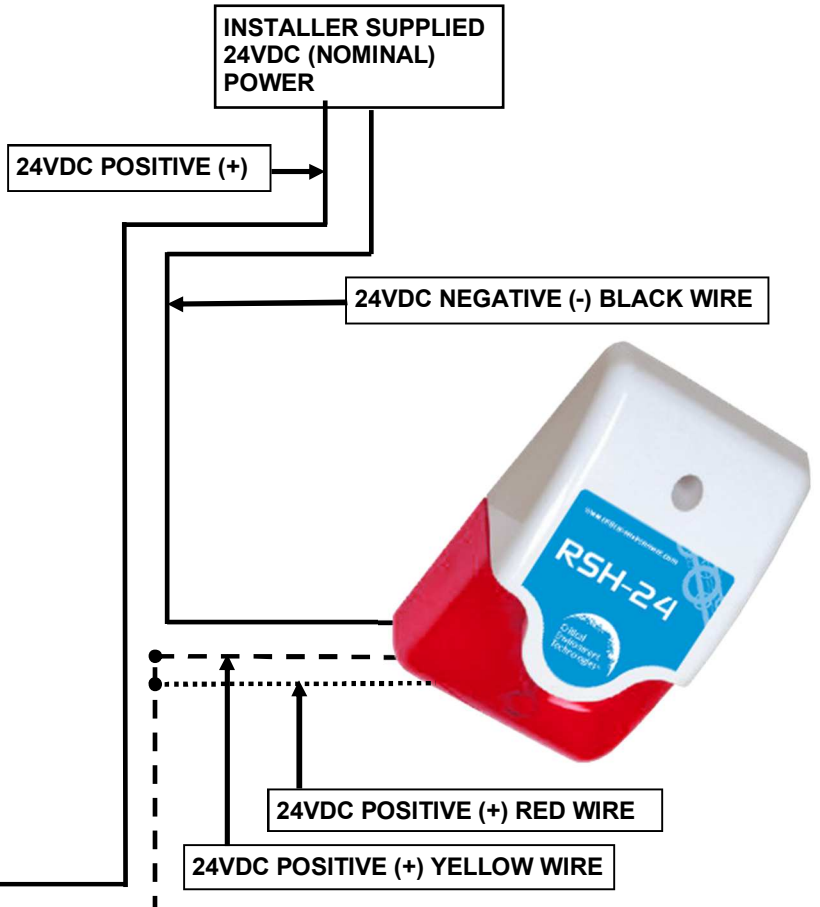
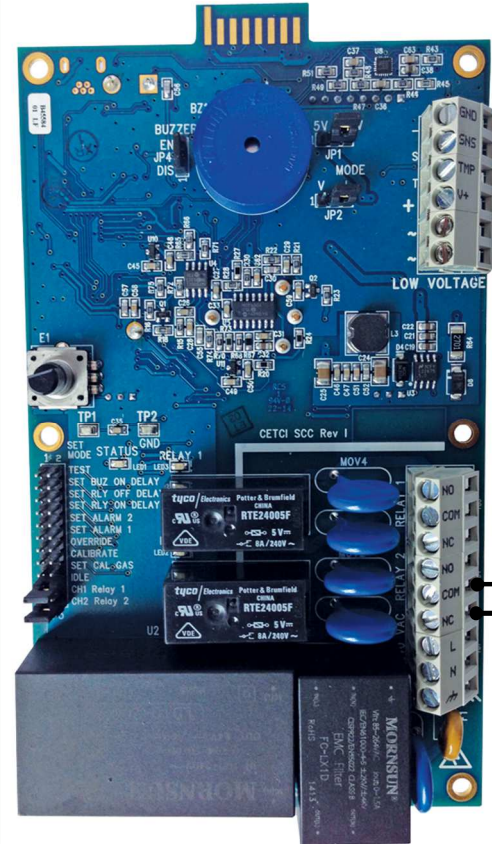


SCC & RSH-24V ALARM



Critical Environment Technologies™



NOTE: Two SPDT dry contact relays, rated 5 amps @ 240 VAC

CRITICAL ENVIRONMENT TECHNOLOGIES CANADA INC.	
NAME:	WIRING CONNECTIONS
MODEL:	SCC with RSH-24V
DATE:	November 23, 2016

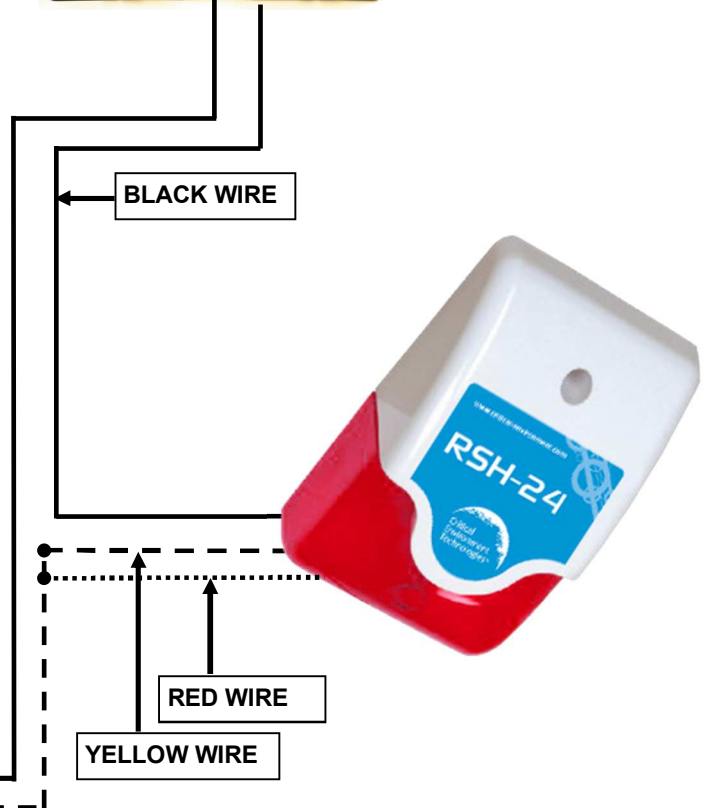
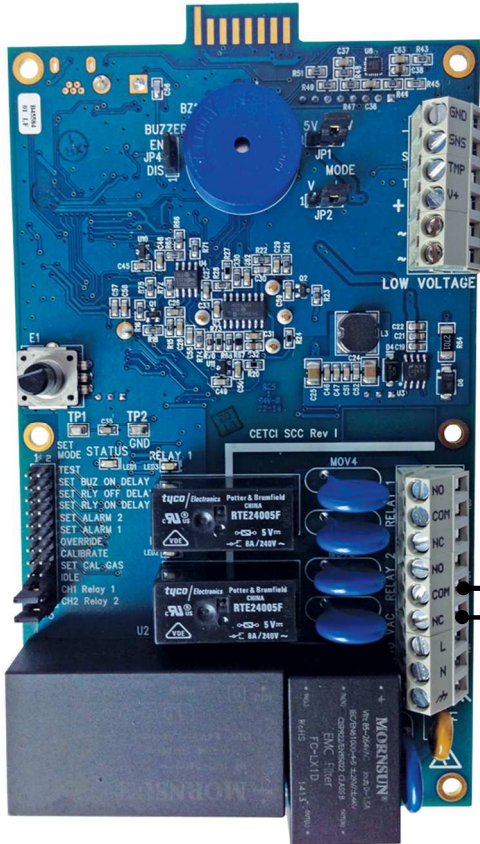
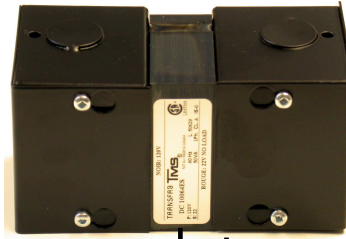
SCC & RSH-24V ALARM



Critical Environment Technologies™



INSTALLER SUPPLIED 24VAC (NOMINAL) POWER



BLACK WIRE

RED WIRE

YELLOW WIRE

NOTE: Two SPDT dry contact relays,

CRITICAL ENVIRONMENT TECHNOLOGIES CANADA INC.	
NAME:	WIRING CONNECTIONS
MODEL:	SCC with RSH-24V
DATE:	November 23, 2016