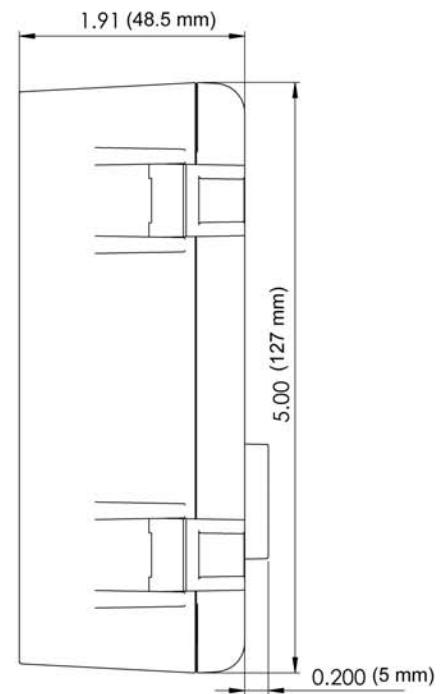
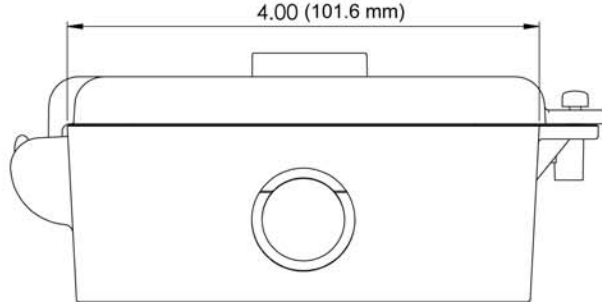


8 7 6 5 4 3 2 1



**PROPRIETARY AND CONFIDENTIAL**  
 THE INFORMATION CONTAINED IN THIS DRAWING IS THE SOLE PROPERTY OF CETCI. ANY REPRODUCTION IN PART OR AS A WHOLE WITHOUT THE WRITTEN PERMISSION OF CETCI IS PROHIBITED.

		UNLESS OTHERWISE SPECIFIED:		NAME	DATE	Critical Environment Technologies Canada Inc.	
		DIMENSIONS ARE IN INCHES (METRIC)		DRAWN	A. Doe	9-Sep-11	TITLE:  Low Power Transmitter
		FRACTIONAL ±		CHECKED			
		ANGULAR: MACH ± BEND ±		ENG APPR.	K.B.		
		TWO PLACE DECIMAL ±		MFG APPR.			
		THREE PLACE DECIMAL ±		Q.A.			SIZE DWG. NO. REV <b>B</b> A
		INTERPRET GEOMETRIC TOLERANCING PER:		COMMENTS:		www.critical-environment.com	
NEXT ASSY	USED ON	MATERIAL: ABS / POLY					SCALE: 1:1
APPLICATION		FINISH: MATT				WEIGHT:	SHEET 1 OF 1
		DO NOT SCALE DRAWING					

8 7 6 5 4 3 2 1