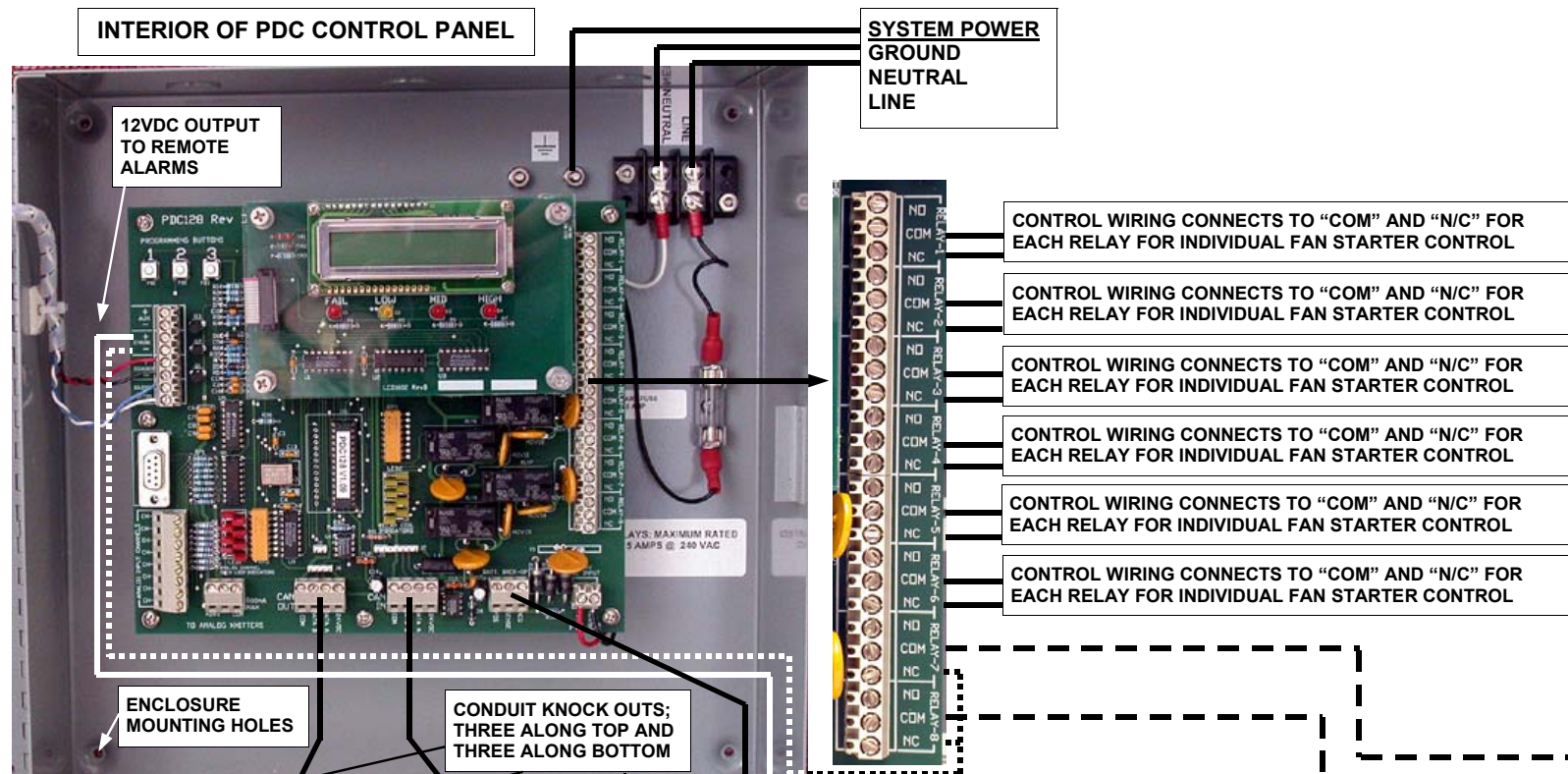


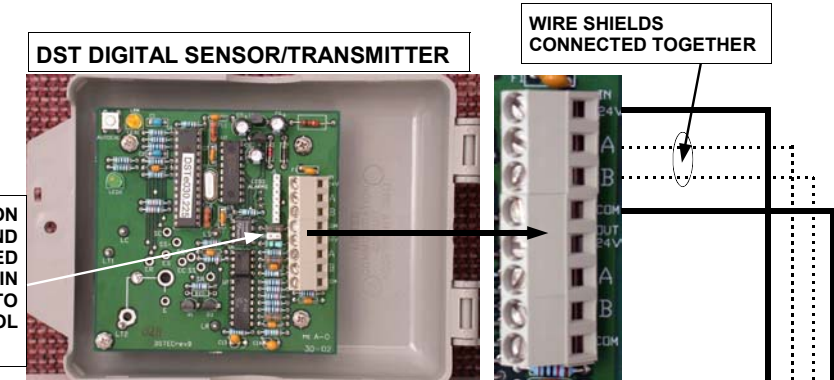
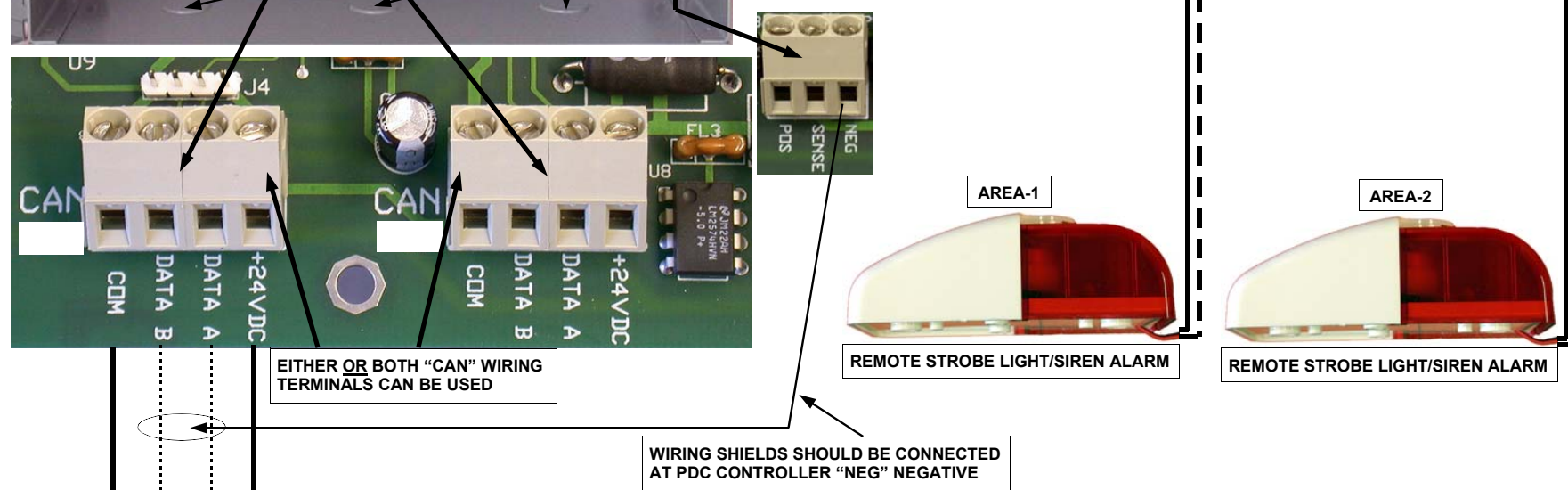
Critical Environment Technologies

www.critical-environment.com

WIRING CONNECTIONS DRAWING EXAMPLE TO REMOTE SENSOR/TRANSMITTERS AND ALARM DEVICES REV: 'B'



NOTE: ANYTHING CONTROLLED BY THE PDC CONTROLLER RELAYS CAN BE ZONED (GROUPED) FOR CONTROL THROUGH THE USER CONFIGURABLE SOFTWARE ACCESSIBLE THROUGH THE THREE PROGRAMMING PUSH-BUTTONS INSIDE ON THE CIRCUIT BOARD.



LAST DST TRANSMITTER ON WIRING RUN MUST HAVE "END OF LINE" JUMPER INSTALLED HERE. EXTRA JUMPERS ARE IN A PLASTIC BAG ATTACHED TO THE BACK OF THE CONTROL PANEL DOOR

NOTE-1: WIRE REQUIREMENTS:
 a) 18-GAUGE SHIELDED "TWISTED PAIR" FOR DATA COMMUNICATIONS.
 b) 14-GAUGE, 2-CONDUCTOR FOR POWER (+24V and COM)

NOTE-2: WIRE CONNECTIONS:
 a) WIRING TERMINATIONS **MUST BE** "DAISY-CHAINED", MEANING 4-WIRES **IN** TO EACH REMOTE TRANSMITTER AND FOUR WIRES **OUT** AND ON TO THE NEXT TRANSMITTER
 b) DO NOT MIX UP DATA "A" AND DATA "B" CONNECTIONS FROM TERMINAL STRIP TO TERMINAL STRIP
 c) WIRING SHIELD SHOULD BE CONNECTED AT PDC CONTROL PANEL "NEG" AS INDICATED IN THE PHOTO ABOVE. WIRING SHIELDS AT EACH TRANSMITTER MUST BE CONNECTED TOGETHER BUT **NOT** ATTACHED TO "COM" AT EACH TRANSMITTER. DO NOT ATTACH THE SHIELD TO ANYTHING AT THE LAST TRANSMITTER ON THE WIRING RUN.

